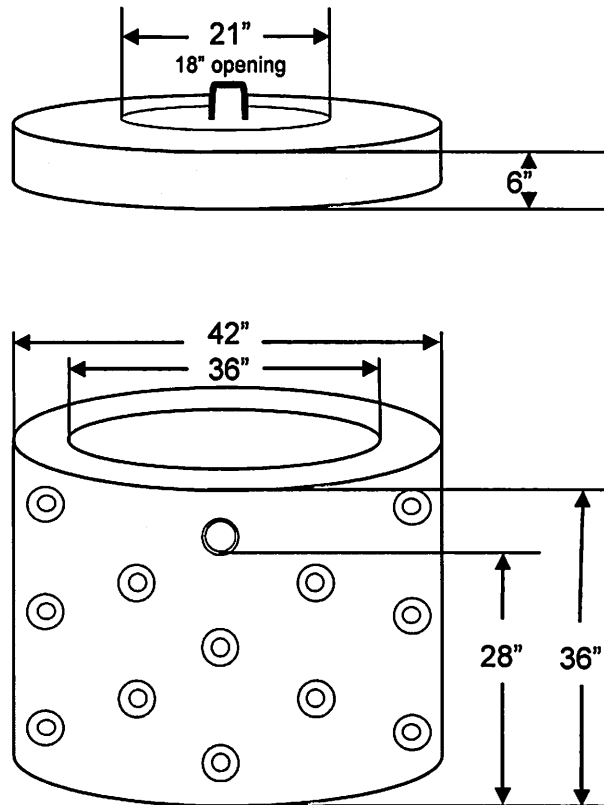


# William N. Lamarre Concrete Products, Inc.

## 36" ID MINI DRYWELL

(Drawings Not to Scale)



### Notes

1. Concrete strength  $f_c$  4000PSI@28 days. Density 150 PCF.
2. Cement, Portland Type II or III, ASTM C150-81
3. Admixtures, air & plasticizers per ASTM C233-82
4. Reinforcement per ASTM C1227-latest revision
5. Construction joints sealed with butyl rubber - optional
6. Design conforms to 310 CMR 15.00, Mass Title V specifications