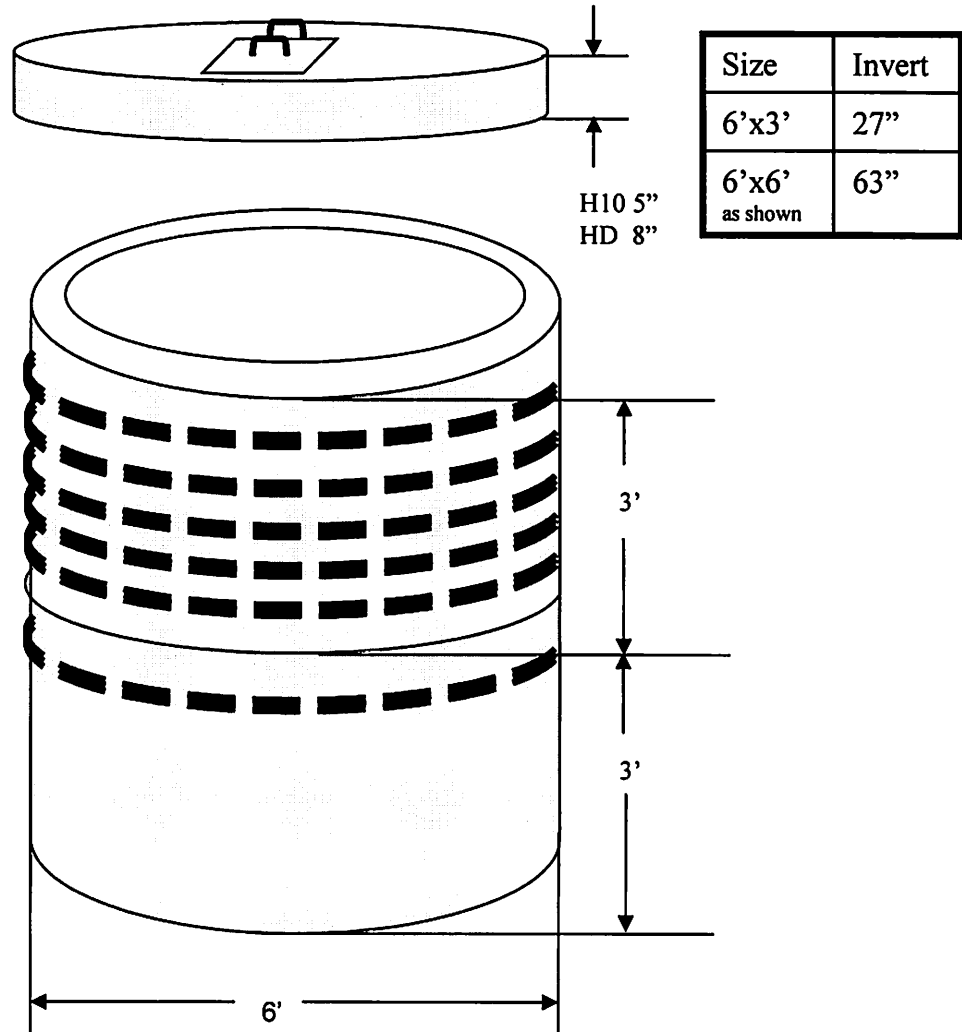


William N. Lamarre Concrete Products, Inc.

6' DIAMETER LEACHING CATCH BASIN

Available H10 and H20(Top Loading)
(Drawings Not to Scale)



1 CLEANOUT - 21" x 21" DIAMETER

Notes

1. Concrete strength f_c 4000PSI@28 days. Density 150 PCF.
2. Cement, Portland Type II or III, ASTM C150-81
3. Admixtures, air & plasticizers per ASTM C233-82
4. Reinforcement per ASTM C1227-latest revision
5. Heavy-duty is 2" higher due to increased top thickness - 6" TOP.