

William N. Lamarre Concrete Products, Inc.

GI/DI

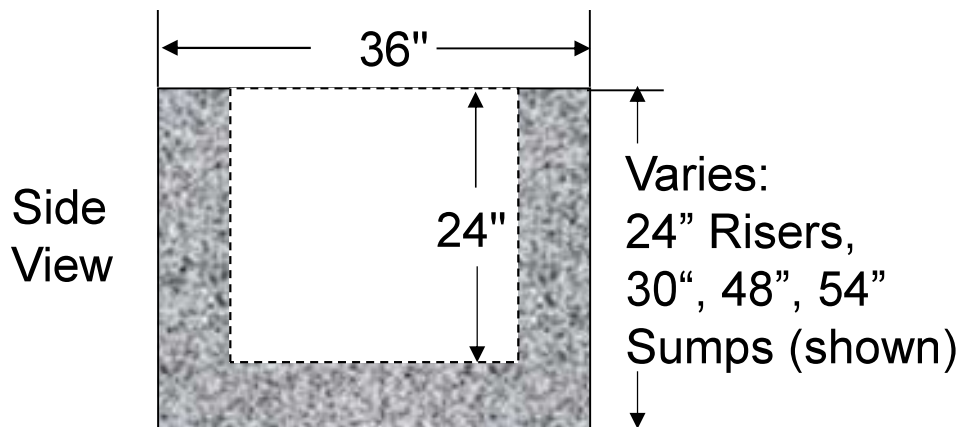
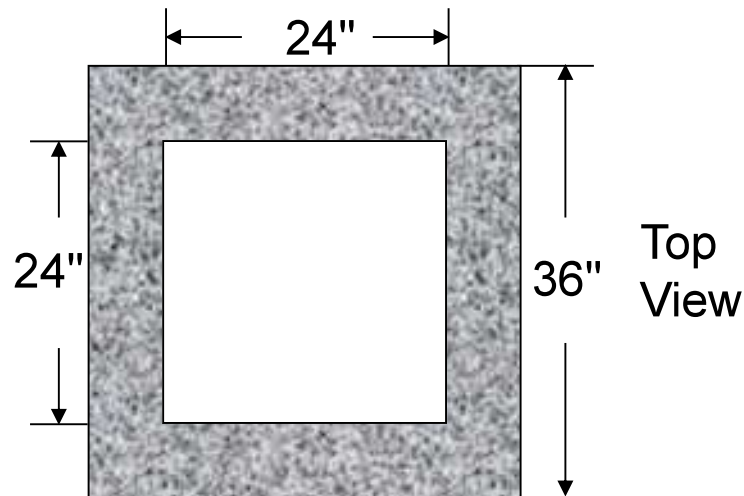
Gutter Inlet / Drop Inlet

Standard Size Shown is in Stock – Custom Boxes are Made to Order

Drawings Required at Least 2 Weeks in Advance of Required Delivery Date

H20

Drawing Not to Scale



Notes

1. Concrete strength f'c 4000PSI@28 days. Density 150 PCF.
2. Cement, Portland Type II or III, ASTM C150-81
3. Admixtures, air & plasticizers per ASTM C233-82
4. 6" Walls, 6" Base