

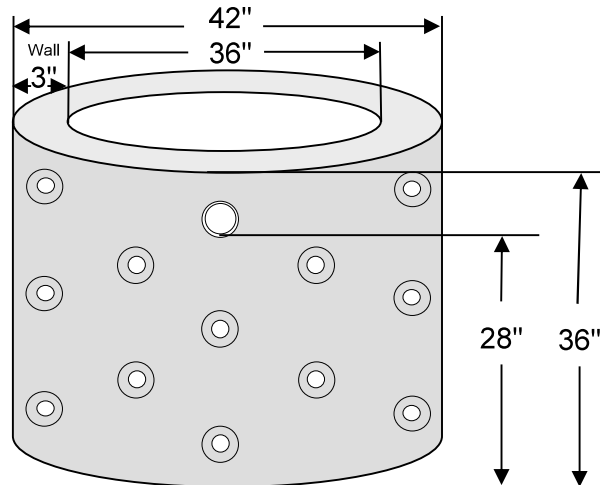
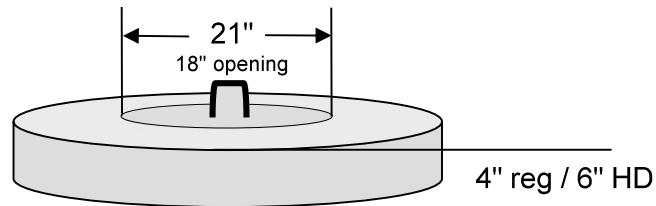
William N. Lamarre Concrete Products, Inc.

36" ID MINI DRYWELL

250 Gallons – 4" Inlet Opening

Available H10 & HD Top Loading

Drawing Not to Scale



Notes

1. Concrete strength f'c 4000PSI@28 days. Density 150 PCF.
2. Cement, Portland Type II or III, ASTM C150-81
3. Admixtures, air & plasticizers per ASTM C233-82
4. Heavy-duty is 2" higher due to increased top thickness - 6" TOP.